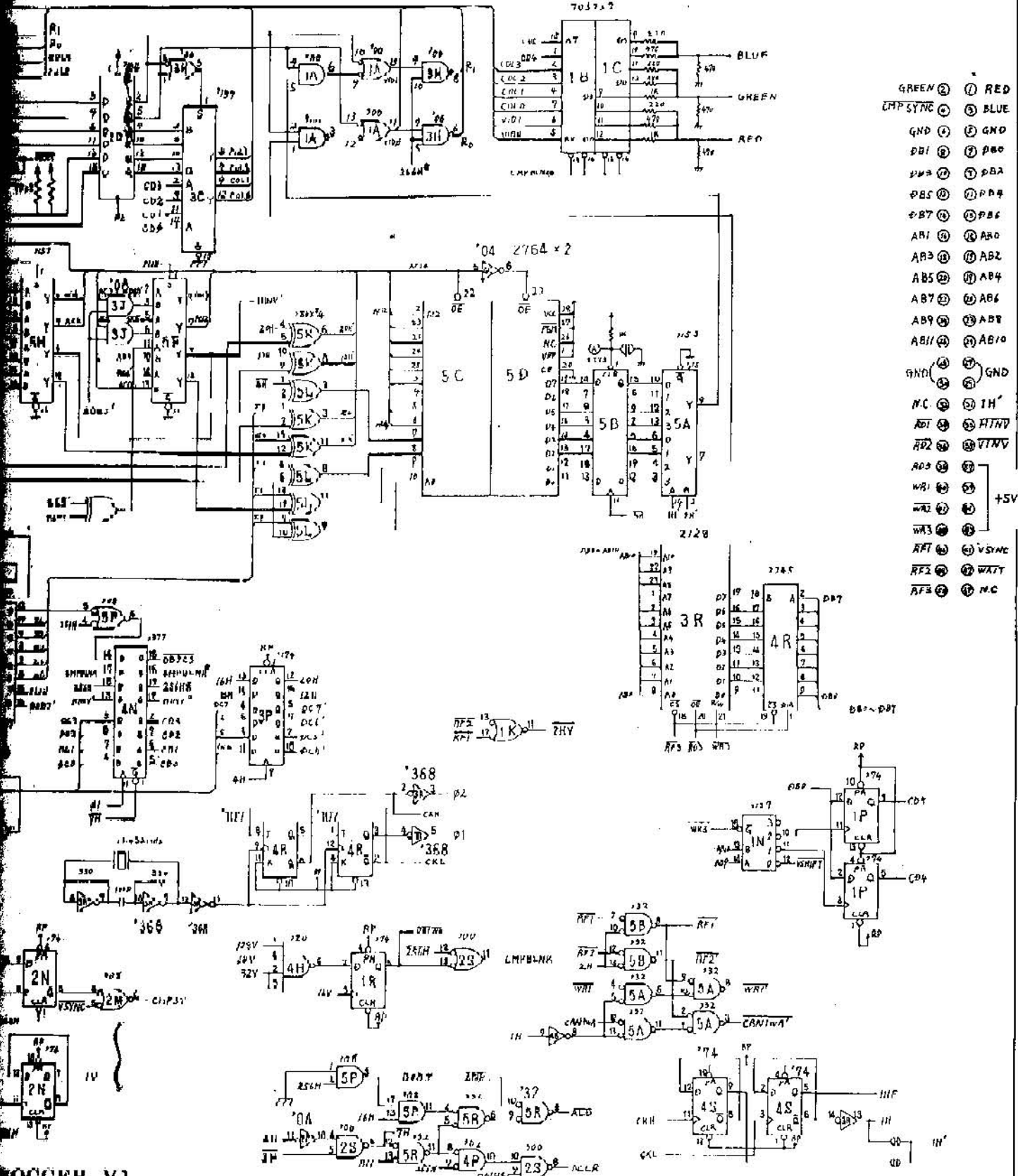


HOCER V1

top board

- 50 PIN HEADER
- ⊙ 44 PIN EDGE CONNECTOR

- DB3 ○ 38
- DB1 ○ 34
- DB2 ○ 36
- WR3 ○ 44
- WR1 ○ 40
- WR2 ○ 42
- RF3 ○ 50
- RF1 ○ 46
- RF2 ○ 48
- VBSY ○ 45
- WATT ○ 47
- IH ○ 31
- VINV ○ 35
- HINV ○ 33



- GREEN (2) (1) RED
- EMPSYNC (4) (3) BLUE
- GND (1) (2) GND
- DB1 (2) (7) DB0
- DB2 (1) (7) DB2
- DB3 (2) (7) DB4
- DB7 (4) (7) DB6
- AB1 (4) (7) AB0
- AB3 (4) (7) AB2
- AB5 (4) (7) AB4
- AB7 (4) (7) AB6
- AB9 (4) (7) AB8
- AB11 (4) (7) AB10
- GND1 (4) (7) GND
- NC (4) (7) 1H'
- AD1 (4) (7) AD0
- AD2 (4) (7) AD1
- AD3 (4) (7) AD2
- WR1 (4) (7) +5V
- WR2 (4) (7) +5V
- WR3 (4) (7) +5V
- RF1 (4) (7) VSYNC
- RF2 (4) (7) WRT
- RF3 (4) (7) 1H'

MOCCER V1
bottom board

Nov., 1983

EME © Eastern Micro Electronics, Inc.
12D Worlds Fair Drive Somerst, New Jersey 08873